



www.remotealert.com

CCTV Product Catalog

Your GUIDE Book

CONTENTS

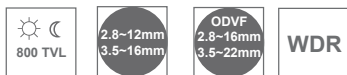
PAGE 3	INDOOR DOMES
PAGE 6	TVI FULL HD (1080P) Domes
PAGE 9	OUTDOOR DOMES
PAGE 11	BOX CAMERAS
PAGE 13	IR CAMERAS
PAGE 14	ATM CAMERAS
PAGE 16	SPECIALITY CAMERAS, DRIVE UP / SIGN-TELLER
PAGE 17	SPECIALITY CAMERAS, TOWER
PAGE 18	SPECIALITY CAMERAS, HEIGHT STRIP
PAGE 19	SPECIALITY CAMERAS, ATM, GAMING, FAST FOOD
PAGE 20	BOARD CAMERAS
PAGE 22	BOX CAMERA ACCESSORIES LENS / MOUNTS/ HOUSINGS
PAGE 23	COMMISSIONING
PAGE 24	POWER ADAPTORS/CONVERTERS
PAGE 25	DOMES ACCESSORIES
PAGE 27	LED MONITORS
PAGE 28	MONITOR MOUNTS
PAGE 29	DIGITAL VIDEO RECORDERS/HYBRID TVI RECORDERS
PAGE 31	IP PRODUCTS
PAGE 33	IP ATM
PAGE 34	IP SPECIALITY CAMERAS
PAGE 39	INSTALLATION TOOLS

INDOOR MINI DOMES

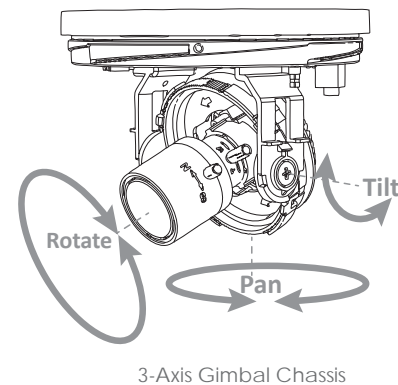
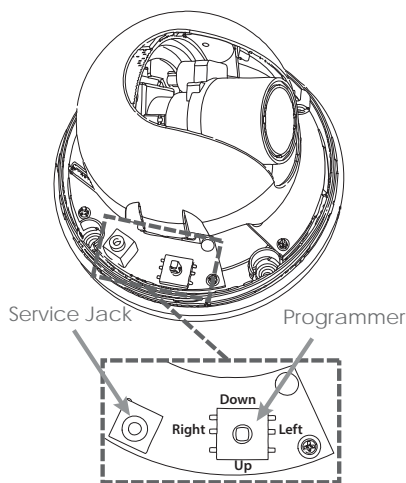
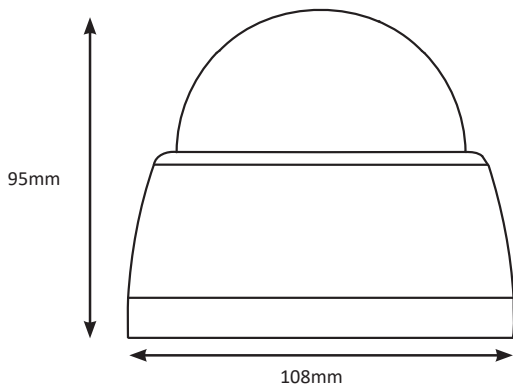
The Remote Alert in51S2N2D is the next generation in our line of ultra compact vandal resistant domes. Offering Ultra High 800TVL resolution, new Wide-D WDR performance combined with 3D digital noise reduction, this compact camera will produce high quality video in the varying lighting conditions experienced in modern installations. The in51S2N2D series is very compact and flexible enough to meet any installation requirement.



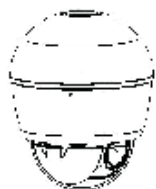
- Compact Die Cast Construction
- Thermal Management
- inViVid® Color Technology
- 3-Axis Gimbal
- 1.3 Mega Pixel Sensor
- Ultra High 800 TVL
- Software Day/Night Function
- Min. Illumin. 0.01 Lux
- Wide Dynamic Range (WDR) 130db
- Backlight Compensation (BLC)
- Highlight Compensation (HLC)
- Defog
- Digital Image Stabilization
- Optical Dual Vari Focal
- 3D DNR
- Sense Up
- Selectable Shutter Speeds
- ATW / AWC White Balance
- Focus Assist Feature
- OSD Menu
- iCCTV compliant up the Coax(UTC) OSD
- CVBS Analog Video Output
- Privacy Zones
- Motion Detection Zoom Function
- On board Service Jack/Programmer
- 12VDC/24VAC



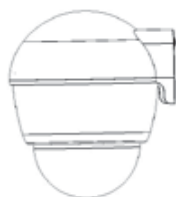
in51S2N2D28V12
in51S2N2D35V16



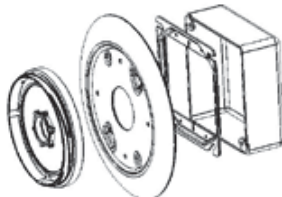
Accessory items



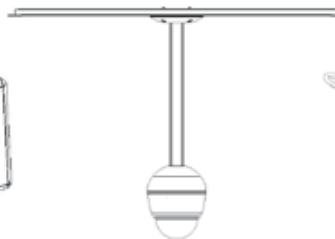
Pendant Cap



Short Wall/Pole Mount



Electrical Box Adaptor Plate



Drop Ceiling Backer Plate
Ceiling Flange & Poles



Service Cable



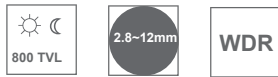
UTC-ZF Programmer

INDOOR MINI DOMES

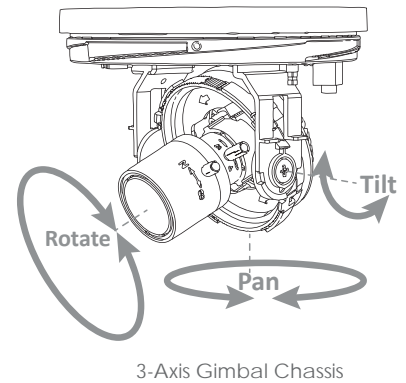
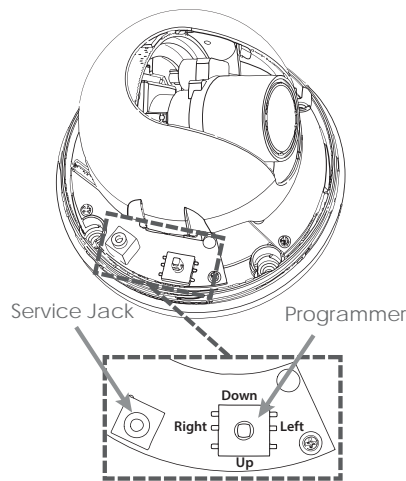
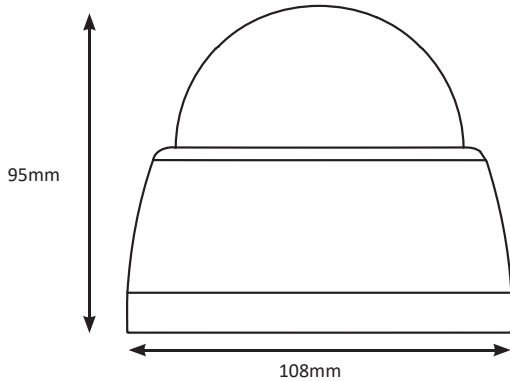
The Remote Alert in52TS3N2D Series compact tamper resistant internal dome cameras use our new Shark WDR sensor. Offering 800 TVL resolution, low light and WDR performance combined with 3D Digital Noise Reduction, this dome camera will produce high quality video in the varying lighting conditions experienced in modern installations. The versatile in52TS3N2D series is compact and flexible enough to meet any installation requirements.



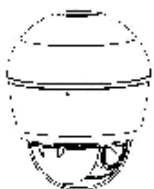
- Compact Polycarbonate Case
- Thermal Management
- inViVid® Color Technology
- 1/3" Image Sensor
- Wide Dynamic Range (WDR) 115db
- 800 TVL
- 2.8-12mm Varifocal DC lens
- 3-Axis Gimbal
- Software Day/Night Function
- Min. Illumin. 0.01 Lux
- 3D DNR
- Auto White Balance
- CVBS Analog Video Output
- Service Jack & OSD Programming Joystick
- 12VDC/24VAC



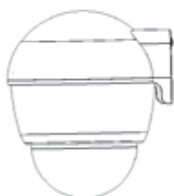
in52TS3N2D28V12



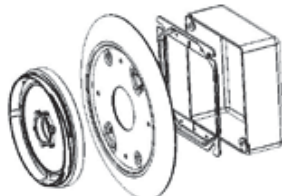
Accessory items



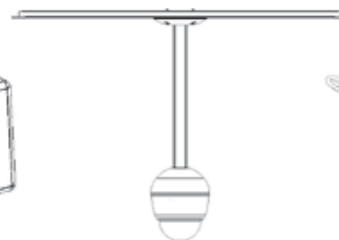
Pendant Cap



Short Wall/Pole Mount



Electrical Box Adaptor Plate



Drop Ceiling Backer Plate
Ceiling Flange & Poles



Service Cable

INDOOR MINI DOMES

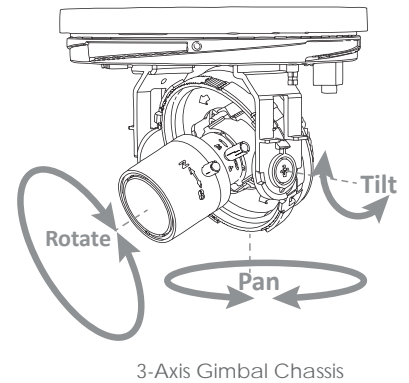
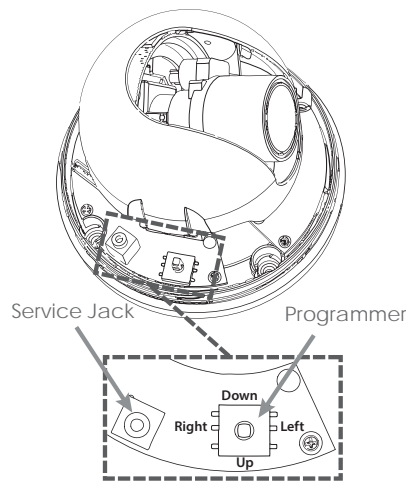
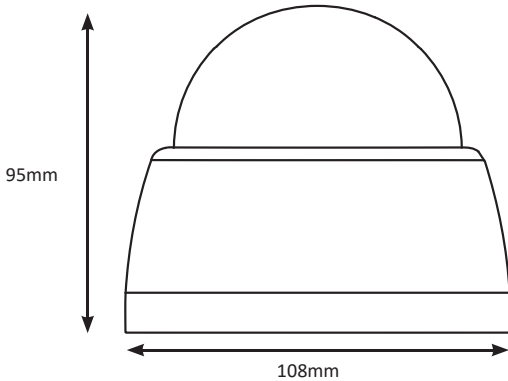
The Remote Alert in52S9N2D Series is the latest release in our line of compact vandal resistant dome cameras. Offering ultra high 700 TVL resolution, enhanced low light performance combined with digital noise reduction, this compact camera will produce high quality video in the varying lighting conditions experienced in modern installations. The in52S9N2D series is very compact and flexible enough to meet any installation requirement.



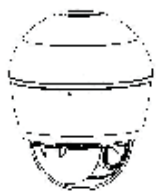
- Compact Polycarbonate Case
- inViVid® Color Technology
- Advanced High Sensitivity Sensor
- 700 TVL
- Software Day/Night Function
- Min. Illumin. 0.05 Lux
- Digital Wide Extended Range (D-WDR)
- Backlight Compensation (BLC)
- Highlight Compensation (HLC)
- Selectable Shutter Speeds
- ATW/Push/Manual White Balance
- CVBS Analog Video Output
- Privacy Zones
- Motion Detection
- 3-Axis Gimbal
- On Board Service Jack/OSD Programmer
- iCCTV compliant up the Coax (UTC) OSD
- Optional UTC (Up the Coax) OSD Programmer
- 12VDC/24VAC



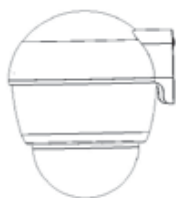
in52S9N2D28V12
in52S9N2D9V22



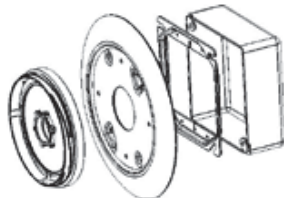
Accessory items



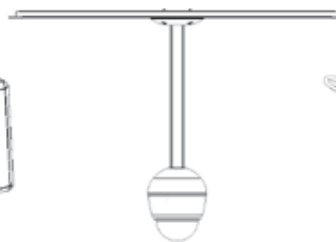
Pendant Cap



Short Wall/Pole Mount



Electrical Box Adaptor Plate



Drop Ceiling Backer Plate
Ceiling Flange & Poles



Service Cable



UTC-ZF Programmer

TVI (Full HD 1080P) INDOOR MINI DOMES

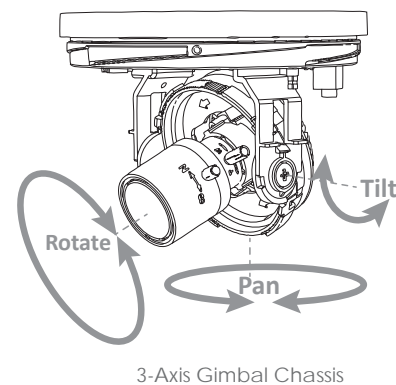
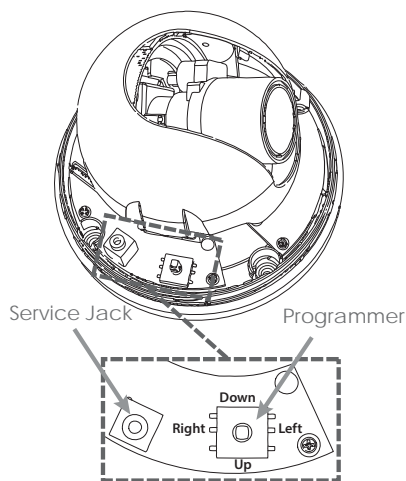
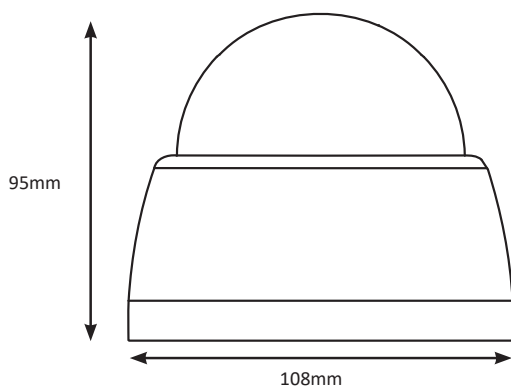
The Remote Alert in51TS2N2D is the next generation in our line of ultra compact vandal resistant domes. Offering Full HD resolution, TVI and Analog outputs, new Wide-D WDR performance combined with 3D digital noise reduction, this compact camera will produce high quality video in the varying lighting conditions experienced in modern installations. The in51TS2N2D series is very compact and flexible enough to meet any installation requirement.



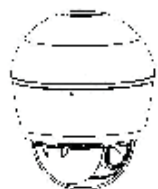
- Compact Die Cast Construction
- Thermal Management
- inViVid® Color Technology
- 3-Axis Gimbal
- Mega Pixel Sensor
- Full HD (1080P)
- Software Day/Night Function
- Min. Illumin. 0.01 Lux
- Wide Dynamic Range (WDR) 130db
- Backlight Compensation (BLC)
- Highlight Compensation (HLC)
- Dual Output, TVI & CVBS Analog
- 3D DNR
- Sense Up
- Selectable Shutter Speeds
- ATW / AWC White Balance
- Focus Assist Feature
- OSD Menu
- Up the Coax(UTC) OSD Control using inDVR700 Series Hybrid DVR
- Privacy Zones
- Motion Detection Zoom Function
- On board Service Jack w/ Programming cable
- 12VDC/24VAC



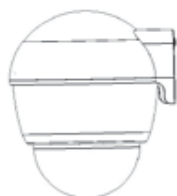
in51TS2N2D28V12



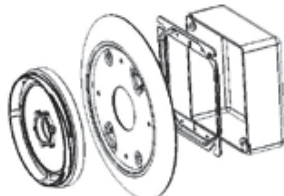
Accessory items



Pendant Cap



Short Wall/Pole Mount



Electrical Box Adaptor Plate



Drop Ceiling Backer Plate
Ceiling Flange & Poles



Service Cable

TVI (Full HD 1080P) OUTDOOR DOMES

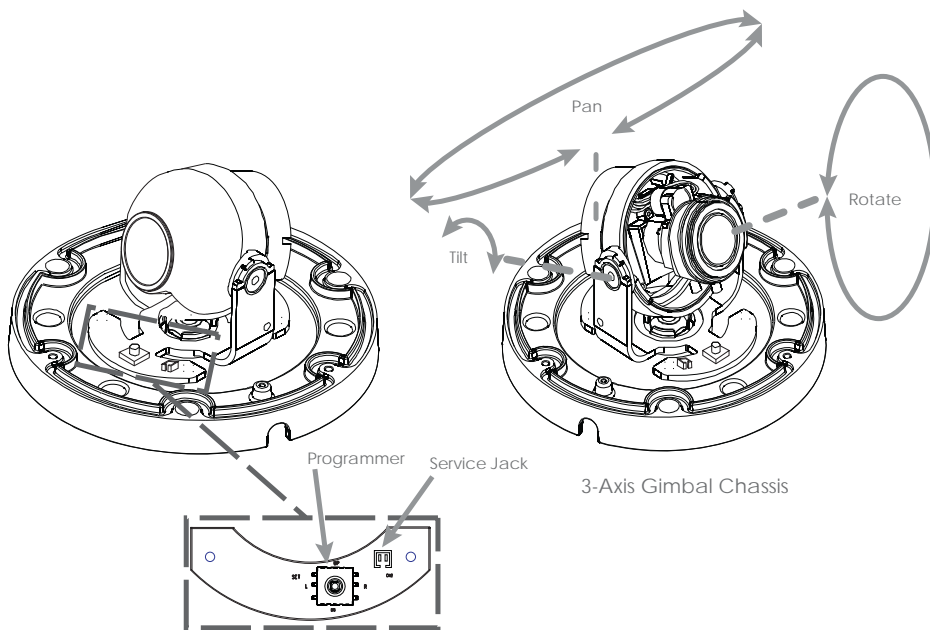
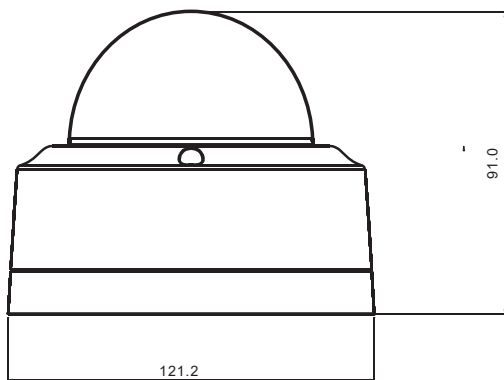
The Remote Alert in61TS2N2D is the next generation in our line of compact outdoor vandal resistant domes. Offering Full HD resolution, TVI and Analog outputs, new Wide-D WDR performance combined with 3D Digital Noise reduction, this compact camera will produce high quality video in the varying lighting conditions experienced in modern installations. The in61TS2N2D series is very compact and flexible enough to meet any installation requirement.



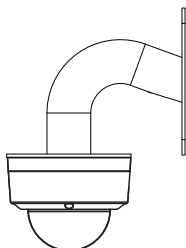
- Compact Die Cast Construction
- Outdoor Dome IP66
- Thermal Management
- inViVid® Color Technology
- 3-Axis Gimbal
- Mega Pixel Sensor
- Full HD (1080P)
- Software Day/Night Function
- Min. Illumin. 0.01 Lux
- Wide Dynamic Range (WDR) 130db
- Backlight Compensation (BLC)
- Highlight Compensation (HLC)
- 3D DNR
- Sense Up
- Selectable Shutter Speeds
- ATW / AWC White Balance
- Dual Output, TVI & CVBS Analog
- OSD Menu
- Up the Coax(UTC) OSD Control using inDVR700 Series Hybrid DVR
- Privacy Zones
- Motion Detection Zoom Feature
- On board Service Jack w/ Programming cable
- 12VDC/24VAC



in61TS2N2D28V12



Accessory items



Gooseneck Wall Mount

TVI (Full HD 1080P) OUTDOOR DOMES

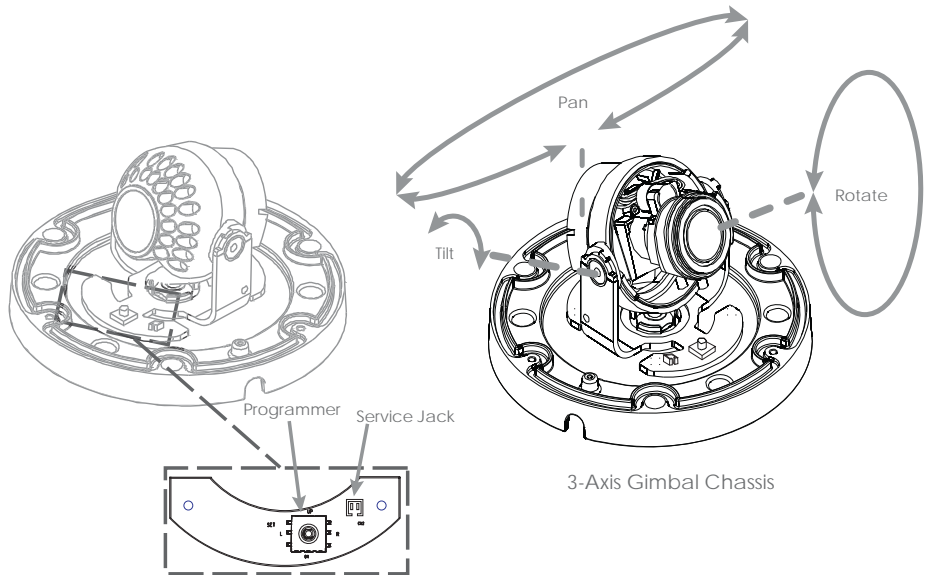
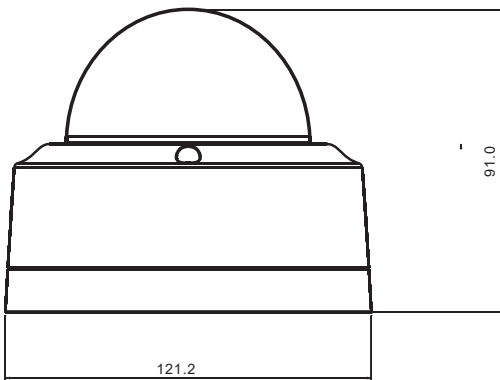
The Remote Alert in61TIRT2N2D is the next generation in our line of compact outdoor vandal resistant domes. Offering Full HD resolution, TVI and Analog outputs, IR LED array, new Wide-D WDR performance combined with 3D Digital Noise reduction, this compact camera will produce high quality video in the varying lighting conditions experienced in modern installations. The in61TIRT2N2D series is very compact and flexible enough to meet any installation requirement.



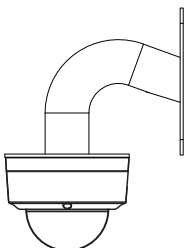
- Compact Die Cast Construction
- Outdoor Dome IP66
- Thermal Management
- inViVid® Color Technology
- 3-Axis Gimbal
- Mega Pixel Sensor
- Full HD (1080P)
- True Day/Night Function
- 25 IR LED's
- Min. Illumin. 0 Lux IR On, 0.01 Lux
- Wide Dynamic Range (WDR) 130db
- Backlight Compensation (BLC)
- Highlight Compensation (HLC)
- Digital Image Stabilization
- 3D DNR
- Sense Up
- Selectable Shutter Speeds
- ATW / AWC White Balance
- Dual Output, TVI & CVBS Analog
- OSD Menu
- Up the Coax(UTC) OSD Control using inDVR700 Series Hybrid DVR
- Privacy Zones
- Motion Detection Zoom Feature
- On board Service Jack w/programming cable
- 12VDC/24VAC



in61TIRT2N2D28V12



Accessory items



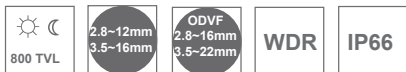
Gooseneck Wall Mount

OUTDOOR DOMES

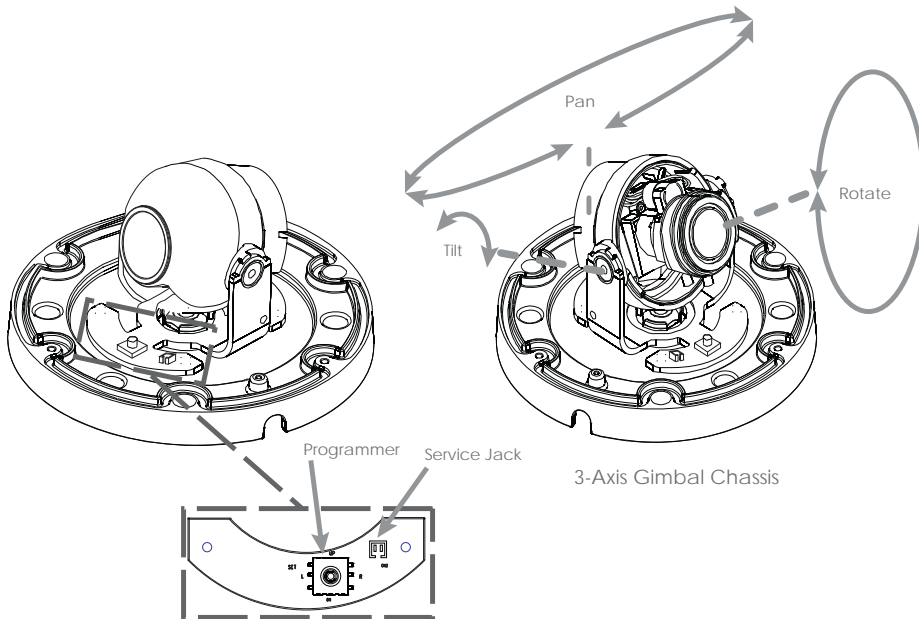
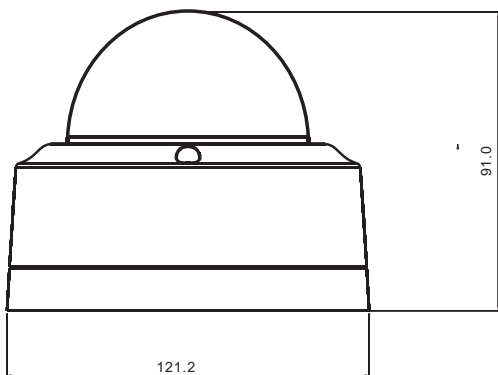
The Remote Alert in61S2N2D is the next generation in our line of ultra compact outdoor vandal resistant domes. Offering ultra high 800 TVL resolution, new Wide-D WDR performance combined with 3D digital noise reduction, this compact camera will produce high quality video in the varying lighting conditions experienced in modern installations. The in61S2N2D series is very compact and flexible enough to meet any installation requirement.



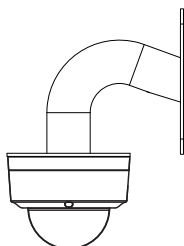
- Compact Die Cast Construction
- Outdoor Dome IP66
- Thermal Management
- inViVid® Color Technology
- 3-Axis Gimbal
- 1.3 Mega Pixel Sensor
- Ultra High 800 TVL
- Software Day/Night Function
- Min. Illumin. 0.01 Lux
- Wide Dynamic Range (WDR) 130db
- Backlight Compensation (BLC)
- Highlight Compensation (HLC)
- DEFOG
- Optical Dual Vari Focal
- 3D DNR
- Sense Up
- Selectable Shutter Speeds
- ATW / AWC White Balance
- CVBS Analog Video Output
- OSD Menu
- iCCTV compliant up the Coax(UTC) OSD
- Privacy Zones
- Motion Detection Zoom Feature
- On board Service Jack/Programmer
- Optional UTC (Up the Coax) OSD Programmer
- 12VDC/24VAC



in61S2N2D28V12
in61S2N2D35V16



Accessory items



Gooseneck Wall Mount



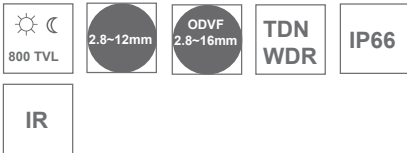
UTC-ZF Programmer

OUTDOOR DOMES

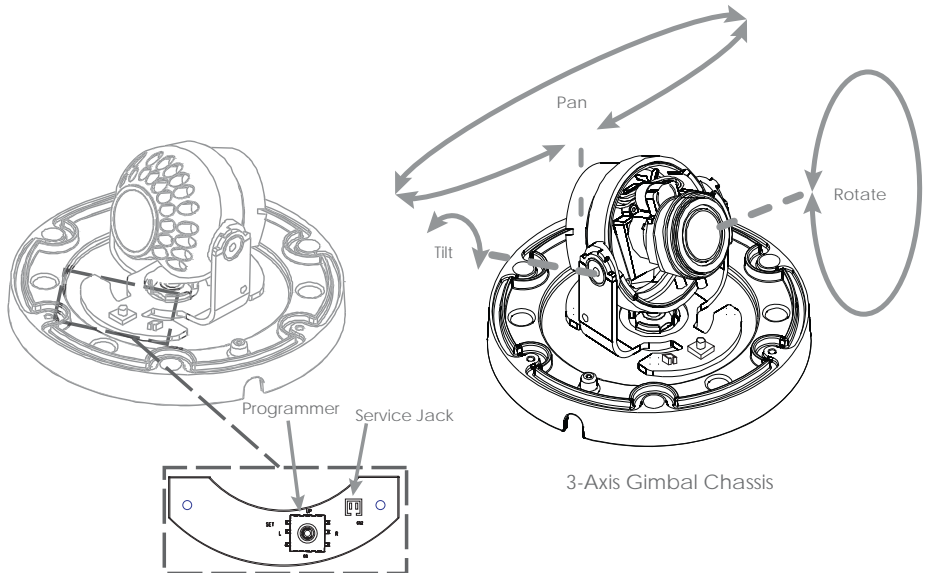
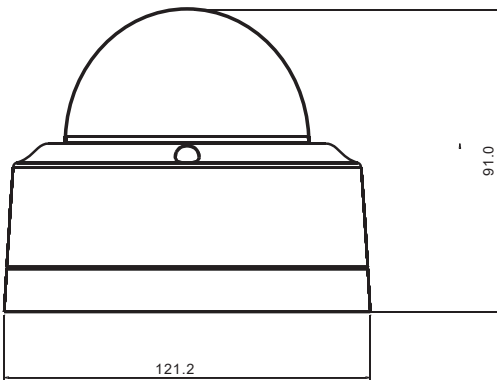
The Remote Alert in61IRT2N2D is the next generation in our line of ultra compact outdoor IR vandal resistant domes. Offering ultra high 800 TVL resolution, IR LED array, new Wide-D WDR performance combined with 3D digital noise reduction, this compact camera will produce high quality video in the varying lighting conditions experienced in modern installations. The in61IRT2N2D series is very compact and flexible enough to meet any installation requirement.



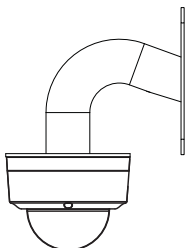
- Compact Die Cast Construction
- Outdoor Dome IP66
- Thermal Management
- inViVid® Color Technology
- 3-Axis Gimbal
- 1.3 Mega Pixel Sensor
- Ultra High 800 TVL
- True Day/Night Function
- 25 IR LED's
- Min. Illumin. 0 Lux IR On, 0.01 Lux
- Wide Dynamic Range (WDR) 130db
- Backlight Compensation (BLC)
- Highlight Compensation (HLC)
- DEFOG
- Optical Dual Vari Focal
- Digital Image Stabilization
- 3D DNR
- Sense Up
- Selectable Shutter Speeds
- ATW / AWC White Balance
- CVBS Analogue Video Output
- OSD Menu
- iCCTV compliant up the Coax(UTC) OSD
- Privacy Zones
- Motion Detection Zoom Feature
- On board Service Jack/Programmer
- Optional UTC (Up the Coax) OSD Programmer
- 12VDC/24VAC



in61IRT2N2D28V12



Accessory items



Gooseneck Wall Mount



UTC-ZF Programmer

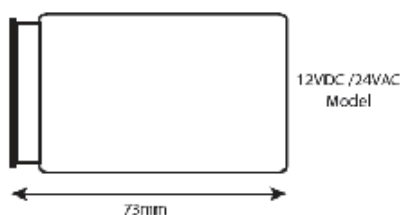
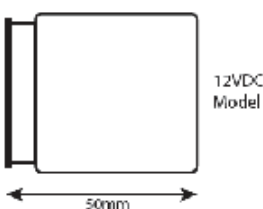
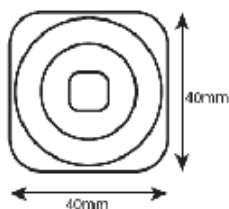
Box Cameras

The Remote Alert in10S2N1L / in11S2N2D is the next generation in our line of ultra compact WDR box cameras. Offering ultra high 800 TVL resolution, new Wide-D WDR performance combined with 3D digital noise reduction, this compact camera will produce high quality video in the varying lighting conditions experienced in modern installations. The in10S2N1L / in11S2N2D series is very compact and flexible enough to meet any installation requirement.



in10S2N1L
in11S2N2D

- Ultra Compact Die Cast Construction
- Thermal Management
- inViVid® Color Technology
- 1.3 Mega Pixel Sensor
- Ultra High 800 TVL
- Software Day/Night Function
- Min. Illumin. 0.01 Lux
- Wide Dynamic Range (WDR) 130db
- Backlight Compensation (BLC)
- Highlight Compensation (HLC)
- DEFOG
- Digital Image Stabilization
- Optical Dual Vari Focal
- 3D DNR
- Sense Up
- Selectable Shutter Speeds
- ATW / AWC White Balance
- CVBS Analog Video Output
- OSD Menu
- iCCTV compliant up the Coax(UTC) OSD
- Privacy Zones
- Motion Detection Zoom Feature
- CS Mount with Back Focus Control
- Optional UTC (Up the Coax) OSD Programmer
- 12VDC (L Model)
- 12VDC/24VAC (D Model)



The Remote Alert in10S8N1L / in11S8N2D series of ultra compact cameras use our new Shark WDR sensor. Offering 620 TVL resolution, Low Light and WDR performance combined with 2D digital noise reduction, this dome camera will produce high quality video in the varying lighting conditions experienced in modern installations. The versatile in10S8N1L / in11S8N2D series is compact and flexible enough to meet any installation requirements.



in10S8N1L
in11S8N2D

- Ultra Compact Die Cast Construction
- Thermal Management
- inViVid® Color Technology
- 1/3" Image Sensor
- Wide Dynamic Range (WDR) 100db
- 620TVL
- Software Day/Night Function
- Min. Illumin. 0.5 Lux
- 2D DNR
- Auto White Balance
- OSD Menu
- CVBS Analog Video Output
- CS Mount with Back Focus Control
- 12VDC (L Model)
- 12VDC/24VAC (D Model)



Accessory Items



Lenses



Mounts



Outdoor Enclosure



UTC Programmer

Box Cameras

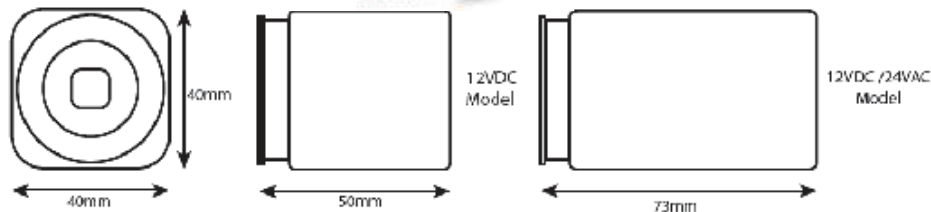
The Remote Alert in10S9N2L / in11S9N2D is the latest release in our line of ultra compact CCD box cameras. Offering ultra high 700 TVL resolution, enhanced low light performance combined with 3D digital noise reduction, this compact camera will produce high quality video in the varying lighting conditions experienced in modern installations. The in10S9N2L / in11S9N2D series is very compact and flexible enough to meet any installation requirement.



**960H
CCD**

**in10S9N1L
in11S9N2D**

- Ultra Compact Die Cast Construction
- Thermal Management
- inViVid® Color Technology
- Advanced High Sensitivity Sensor
- 700 TVL
- Software Day/Night Function
- Min. Illumin. 0.05 Lux
- Digital Wide Extended Range (D-WDR)
- Backlight Compensation (BLC)
- Highlight Compensation (HLC)
- DEFOG
- 3D DNR
- Sens Up (512x)
- Selectable Shutter Speeds
- ATW/Push/Manual White Balance
- CVBS Analog Video Output
- OSD Menu
- Privacy Zones
- Motion Detection
- CS Mount with Back Focus Control
- iCCTV compliant up the Coax (UTC) OSD
- 12VDC (L Models)
- 12VDC/24VAC (D Models)



Accessory Items



Lenses



Mounts



Outdoor Enclosure



UTC Programmer

IR Cameras

The Remote Alert in82T9N1L28V12 IR Eyeball camera uses an advanced high sensitivity sensor/platform that delivers 1080P (Full HD) resolution. This camera provides a selectable output (TVI/CVI/AHD/960H Analog) which allows you to use them on traditional CCTV systems and the new HD systems. These indoor/outdoor IR Eyeball cameras will produce high quality video in the varying lighting conditions experienced in modern installations. The versatile IR Eyeball camera is compact and flexible enough to meet any installation requirements.



- Die Cast Construction
- Thermal Management
- inViVid® Color Technology
- Advanced High Sensitivity Sensor
- 1080P Resolution
- Day/Night Function
- Min. Illumin. 0 Lux (IR On)
- 36 IR LEDs
- Effective IR Range 66ft
- Selectable Output
- Indoor/Outdoor IP66
- 12VDC
- 24VAC when using optional Power Converter



in82T9N1L28V12W (White)
in82T9N1L28V12B (Bronze)

The Remote Alert in71TVI3 is the next generation in our line of Indoor / Outdoor IR Bullet Cameras. Offering Full HD resolution, TVI and Analog outputs, IR LED array, new Wide-D WDR performance combined with 3D Digital Noise reduction, this compact camera will produce high quality video in the varying lighting conditions experienced in modern installations. The in71TVI3 series bullet camera is flexible enough to meet any installation requirement



- Die Cast Construction
- Thermal Management
- inViVid® Color Technology
- Advanced High Sensitivity Sensor
- 1080P Resolution
- Day/Night Function
- Min. Illumin. 0 Lux (IR On)
- 6 Super IR LEDs
- Effective IR Range 100ft
- Dual Output TVI and CVBS
- Indoor/Outdoor IP68
- Wire Management Mount
- On Board Service Jack
- 12VDC/24VAC



in71TVI3N2D28V12 (Bronze)

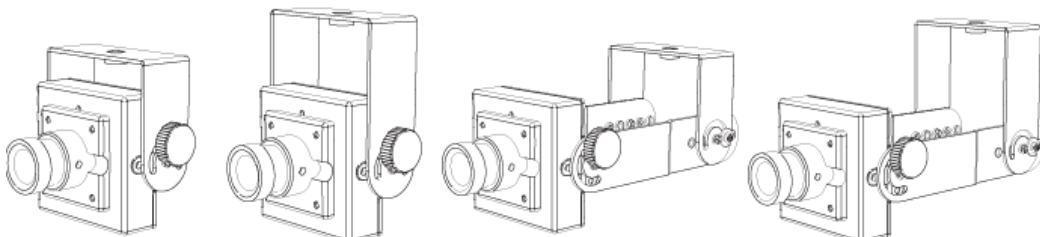
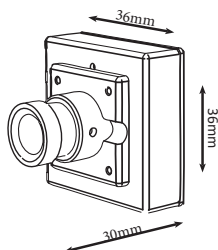
The Remote Alert ATM Camera uses the latest in WDR performance chipsets . Offering ultra high 800 TVL resolution, new Wide-D WDR performance combined with 3D digital noise reduction, this compact camera will produce high quality video in the varying lighting conditions experienced in modern installations. The versatile in30 is extremely compact and flexible enough to meet all ATM installation requirements. *Also available in a factory Pre-Focused version for the NCR6634 ATM.



- Compact 36mm footprint
- Thermal Management
- inViVid® Color Technology
- 1.3 Mega Pixel Sensor
- Ultra High 800 TVL
- 3mm Lens
- Software Day/Night Function
- Min. Illumin. 0.01 Lux
- Wide Dynamic Range (WDR) 130db
- Backlight Compensation (BLC)
- Highlight Compensation (HLC)
- DEFOG
- Digital Image Stabilization
- Optical Dual Vari-Focal
- 3D DNR
- Sense Up
- Selectable Shutter Speeds
- ATW / AWC White Balance
- CVBS Analog Video Output
- in-Line Joystick Programmer
- OSD Menu
- iCCTV compliant up the Coax(UTC) OSD
- Privacy Zones
- Motion Detection Zoom Feature
- Optional UTC (Up the Coax) OSD Programmer
- Multiple Mounting Brackets included
- 12VDC OR 24VAC using supplied ADAC24PM Power Module



in30S2N1L25
in30S2N1L30
in30S2N1L30-NCR



The Remote Alert ATM cameras use our new Shark WDR sensor. Offering 620 TVL resolution, low light and WDR performance combined with 2D digital noise reduction, this dome camera will produce high quality video in the varying lighting conditions experienced in modern installations. The versatile in30S8N2L series is compact and flexible enough to meet any installation requirements. *Also available in a factory Pre-Focused version for the NCR6634 ATM.



- Compact 36mm Footprint
- Thermal Management
- inViVid® Color Technology
- 1/3" Image Sensor
- Wide Dynamic Range (WDR) 100db
- 620 TVL
- 3mm Lens
- Software Day/Night Function
- Min. Illumin. 0.5 Lux
- 2D DNR
- Auto White Balance
- CVBS Analog Video Output
- in-line Joystick Programmer
- 12VDC
- Optional 24VAC Power Converter



in30S8N1L30
in30S8N1L30-NCR



The Remote Alert ATM Camera uses the latest in WDR performance chipsets . Offering ultra high 800 TVL resolution, new Wide-D WDR performance combined with 3D digital noise reduction, this compact camera will produce high quality video in the varying lighting conditions experienced in modern installations. The versatile in30 is extremely compact and flexible enough to meet all ATM /Night Depository installation requirements.



- 4.3mm Flat Pinhole Lens
- Thermal Management
- inViVid® Color Technology
- 1.3 Mega Pixel Sensor
- Ultra High 800 TVL
- Compact 36mm footprint
- Software Day/Night Function
- Min. Illumin. 0.01 Lux
- Wide Dynamic Range (WDR) 130db
- Backlight Compensation (BLC)
- Highlight Compensation (HLC)
- DEFOG
- Digital Image Stabilization
- Optical Dual Vari-Focal
- 3D DNR
- Sense Up
- Selectable Shutter Speeds
- ATW / AWC White Balance
- CVBS Analog Video Output
- OSD Menu
- iCCTV compliant up the Coax(UTC) OSD
- Privacy Zones
- Motion Detection Zoom Feature
- Optional UTC (Up the Coax) OSD Programmer
- 12VDC
- 24VAC when using supplied power converter



in30S2N1L43FP



Speciality Cameras

The Remote Alert Drive-Up/Counter Camera uses the latest in WDR performance chipsets . Offering ultra high 800TVL resolution, new Wide-D WDR performance combined with 3D Digital Noise Reduction, this compact camera will produce high quality video in the varying lighting conditions experienced in modern installations. The small footprint of the camera allows versatility for placement and mounting. Capture full facial views of the person as they walk up to the counter or desk or as they drive up to the service window. Get the quality image you need with Remote Alert's Drive-Up/Counter Camera.



- Mount to Counters/Desktops/Window Mullions
- Small Footprint
- Multiple Mounting Brackets
- Capture Full Facial images
- 3mm lens
- Black Finish
- Easy installation
- Ultra High 800 TVL
- Software Day/Night Function
- Min. Illumin. 0.01 Lux
- Wide Dynamic Range (WDR) 130db
- Backlight Compensation (BLC)
- Highlight Compensation (HLC)
- DEFOG
- Optical Dual Vari-Focal
- Digital Image Stabilization
- 3D DNR
- Sense Up
- Selectable Shutter Speeds
- ATW / AWC White Balance
- CVBS Analog Video Output
- OSD Menu
- iCCTV compliant up the Coax (UTC) OSD
- Privacy Zones
- Motion Detection
- Optional UTC (Up the Coax) OSD Programmer
- 12VDC or 24VAC (when using optional power converter)

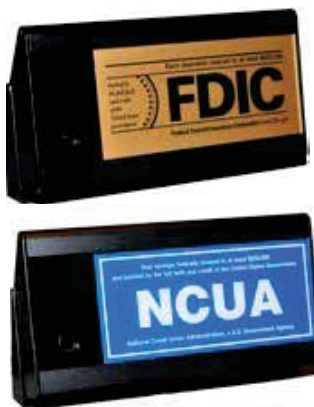


inDUCS2N1L30



The Remote Alert Teller Cameras are designed for applications where high resolution close ups are required of individuals during transactions.

The cameras are mounted in aesthetically pleasing housings that can easily be mounted at payment windows, teller points, desks/counters or other locations where transactions or information exchange may take place.



- Mount to Counters/Desktops
- FDIC, NCUA , Blank Faceplate options
- Custom Colors and Faceplates
- Capture Full facial Images
- 3.0mm lens
- Ultra High Resolution 800 TVL
- inViVid® Color Technology
- Min. Illumin. 0.01 Lux
- Wide Dynamic Range (WDR) 130db
- Software Day/Night Function
- Auto Zoom Function
- Reversible Camera Mounting Option
- Optical Dual Vari-Focal
- Digital Image Stabilization
- 3D DNR
- Sense Up
- Selectable Shutter Speeds
- ATW / AWC White Balance
- CVBS Analog Video Output
- OSD Menu
- iCCTV compliant up the Coax (UTC) OSD
- Privacy Zones
- Motion Detection
- 12VDC/24VAC



inTLCsf2N2D30
inTLCNS2N2D30
inTLCBS2N2D30



Speciality Cameras

The Remote Alert Slim Line Tower Cameras are designed for applications where high resolution close ups are required of individuals during transactions such as banking, car rental, airline security. The cameras are mounted in aesthetically pleasing housings that can easily be mounted at payment windows, teller points, or other locations where transactions may take place.



- Mount to Counters/Desktops
- 8", 16", 20" & 24" Lengths
- Custom Height and Colors Available
- Capture Full facial Images
- 3.0mm lens
- Thermal Management
- inViVid® Color Technology
- Min.Illumin. 0.01 Lux
- Wide Dynamic Range (WDR) 130db
- Ultra High Resolution 800TVL
- Auto Zoom Function
- Optical Dual Vari-Focal
- Digital Image Stabilization
- 3D DNR
- Sense Up
- Selectable Shutter Speeds
- ATW / AWC White Balance
- CVBS Analog Video Output
- OSD Menu
- iCCTV compliant up the Coax (UTC) OSD
- Privacy Zones
- Motion Detection
- 12VDC/24VAC



inTC08S2N2D30
inTC16S2N2D30
inTC20S2N2D30
inTC24S2N2D30



The Remote Alert Height Strip Camera uses the latest in WDR performance chipsets . Offering ultra high 800TVL resolution, new Wide-D WDR performance combined with 3D Digital Noise Reduction, this camera will produce high quality video in the varying lighting conditions experienced in modern installations. The height strip allows you to capture a full facial view at eye level as the person exits the premises. Capture the quality image you need with Remote Alert's Height Strip Camera.



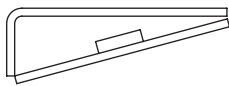
- Fits Standard Door Frames
- Accepts 2 Camera Modules
- Multiple Mounting Brackets
- Capture Full facial Images
- Highly visible color coded height levels
- inViVid® Color Technology
- Min. Illumin. 0.01 Lux
- 3.0mm lens
- Bronze or Aluminium Finish
- Optional 15° Mounting Wedge
- Custom colors available
- Ultra High Resolution 800 TVL
- Wide Dynamic Range (WDR) 130db
- Optical Dual Vari-Focal
- Software Day/Night Operation
- 3D DNR
- Sense Up
- OSD Menu
- iCCTV compliant up the Coax(UTC) OSD
- Privacy Zones
- Motion Detection
- ATW and AWC White Balance
- CVBS Analog Video Output
- Optional UTC (Up the Coax) OSD Programmer
- 12VDC
- 24VAC W/Optional Power Converter



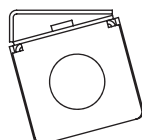
inHS2N1L30A
inHS2N1L30B

Accessory Item

inHSWA
inHSWB



HS mounted to 15° Wedge



15° Mounting Wedge

The Remote Alert in31S2N1L series of cameras use a high sensitivity sensor. Offering 800 TVL resolution, low light and WDR performance combined with Adaptive 3D digital noise reduction, these speciality cameras will produce high quality video in the varying lighting conditions experienced in modern installations. The versatile in31S2N1L series is compact and flexible enough to meet any installation requirements. Use in ATM's, Gaming, Fast food windows, many other speciality applications.



- Thermal Management
- inViVid® Color Technology
- Adjustable Mount
- Multiple Lens options Available
- Easy installation
- High Resolution 800 TVL
- Optical Dual Vari-Focal
- Digital Image Stabilization
- 3D DNR
- Sense Up
- Selectable Shutter Speeds
- ATW / AWC White Balance
- CVBS Analog Video Output
- OSD Menu
- iCCTV compliant up the Coax (UTC) OSD
- Privacy Zones
- Motion Detection
- 12VDC or 24VAC using supplied inADAC24PM Power Module



in31S2N1L25
in31S2N1L30
in31S2N1L3.6
in31S2N1L28V12
in31S2N1L35V16

The Remote Alert in31S9N1L series of cameras use a high sensitivity sensor. Offering 700 TVL resolution, low light and WER performance combined with Adaptive 2D digital noise reduction, these speciality cameras will produce high quality video in the varying lighting conditions experienced in modern installations. The versatile in31S3x2L series is compact and flexible enough to meet any installation requirements. Use in ATM's, Gaming, Fast food windows, many other speciality applications.



- 1/3" CCD Sensor
- 700 TVL
- Fixed or Vari-Focal Lens options
- Software Day/Night Function
- Min. Illumin. 0.05 Lux@ 50 IRE F1.2 Color
- Wide Extended Range (WER)
- Adaptive 2D DNR
- inViVid® Color Technology
- ATW / AWC White Balance
- CVBS Analog Video Output
- Privacy Zones
- Motion Detection
- in-line Joystick programmer
- 12VDC or 24VAC using supplied inADAC24PM Power Module



in31S9N2L38
in31S9N2L40

Board Cameras

The Remote Alert inCM32S2N1L Series is the next generation in our line of ultra compact WDR camera modules. Offering ultra high 800 TVL resolution, new Wide-D WDR performance combined with 3D digital noise reduction, these cameras will produce high quality video in the varying lighting conditions experienced in modern installations.



inCM32S2N1L

- inViVid® Color Technology
- 1.3 Mega Pixel Sensor
- Ultra High 800 TVL
- Fixed Lens or Vari-Focal Options
- Software Day/Night Function
- Min. Illumin. 0.01 Lux
- Wide Dynamic Range (WDR) 130db
- Backlight Compensation (BLC)
- Highlight Compensation (HLC)
- DEFOG
- Digital Image Stabilization
- Optical Dual Vari-Focal
- 3D DNR
- Sense Up
- Selectable Shutter Speeds
- ATW / AWC White Balance
- CVBS Analog Video Output
- OSD Menu
- iCCTV compliant up the Coax(UTC) OSD
- Privacy Zones
- Motion Detection Zoom Feature
- Optional UTC (Up the Coax) OSD Programmer
- 12VDC



The Remote Alert Shark 38x38 board camera uses our new Shark WDR sensor. Offering 620TVL resolution, low light and WDR performance combined with 2D digital noise reduction, this board camera will produce high quality video in the varying lighting conditions experienced in modern installations.



inCM38S8N1L

- 38x38 WDR Board
- inViVid® Color Technology
- 1/3" Shark Image Sensor
- Wide Dynamic Range (WDR) 100db
- 620TVL
- Software Day/Night Function
- Fixed lens or Vari-Focal Options
- Min. Illumin. 0.5 Lux
- 2D DNR
- Auto White Balance
- CVBS Analog Video Output
- 12VDC



The Remote Alert Barracuda 32x32 board camera is the latest release in our line of 960H cameras. Offering ultra high 700 TVL resolution, enhanced low light performance combined with digital noise reduction, this board camera will produce high quality video in the varying lighting conditions experienced in modern installations.



inCM32S9N1L38
inCM32S9N1L40
inCM32S9N1L60

- Compact 32x32 Board
- inViVid® Color Technology
- Advanced High Sensitivity Sensor
- 700 TVL
- Fixed lens or Vari-Focal Options
- Software Day/Night Function
- Min. Illumin. 0.05 Lux
- Digital Wide Extended Range (D-WDR)
- Backlight Compensation (BLC)
- Highlight Compensation (HLC)
- DNR
- Selectable Shutter Speeds
- ATW/Push/Manual White Balance
- OSD Menu
- Privacy Zones
- Motion Detection
- CVBS Analog Video Output
- iCCTV compliant up the Coax (UTC) OSD
- 12VDC



Vari-Focal Lens

The Remote Alert Vari-Focal lenses provide high resolution images and increased sensitivity by the use of ED (Extra-ordinary low Dispersion) glass elements. These lenses will deliver crisp color images during daylight hours. They will also deliver superior performance under low light conditions experienced at night. During night time use the IR corrective features of the lens will ensure that equally high levels of performance are delivered.



inLS2812DN 2.8-12mm F1.2

- DC Auto Iris
- Aspherical Optical Design
- Fast aperture
- IR Corrected
- ED Glass Optics
- Made in Japan
- CS Mount

Megapixel Lens

inLS2812DN-2MP 2.8-12mm F1.4

inLS5100DN-1.3MP 5-100mm F1.6

Camera Mounts

The inCM series of camera mounts offer a variety of mounting options, Wall, Ceiling, Drop Ceiling "T-bar". Choose from metal or polycarbonate construction based on your mounting requirements.



inCM204

- indoor
- Metal Construction
- Up to 6" Adjustable Height
- Interchangeable Base for :
Wall /Ceiling
Drop Ceiling T-Bar

inCM206

- indoor
- Wall or Ceiling Mount
- Polycarbonate Construction
- Wire Feed Through

Camera Housing

The Remote Alert CHP series housing kits include a side opening housing and the inCHPB feed through wall mount bracket. This indoor /outdoor housing offers security and environmental protection against the elements.

The side opening provides easy access for the installer with the option of factory installed 24VAC heater and blower help to maintain stable working temperatures while the feed-through mounting bracket simplifies the cable wiring into the housing.

The inCHP series is an ideal choice for your security applications requiring the housing of a traditional style "box" camera and lens.



inCHP15/CHP15HB

- Indoor/Outdoor
- Polycarbonate Construction
- Side Opening Lid
- 24VAC Powered*
- Thermostatic Heater & Blower*

inCHPB

- Die Cast Wall Mount
- Universal Knuckle Joint
- Wire Feed Through

*inCHP15HB Only

inCHP15
inCHP15HB

Housing Kit includes Housing/Bracket

Housing Kit includes Housing w/Heater/Blower/Bracket

UTC Controller

The Remote Alert inUTC is an optional iCCTV compliant product to enable advanced programming of Remote Alert cameras. The hand-held programmer is connected via a simple Male / Female loop through BNC cable that is inserted in series with the video signal from the camera, to a monitor or control device. Once connected and activated, the programmer sends a telemetry signal back along the coax to enable and navigate around the On-Screen-Display menus of the connected Remote Alert camera.

This simplifies both commissioning and servicing of cameras, as physical access is not required to the camera to make adjustments to the configuration of the camera. This makes this a very valuable tool in modern installations where access to cameras may be limited.



- Cable Length 1.3m
- Male/Female Loop Through BNC

inUTC

Service Cable

The service cable is used for local set up of cameras during installation or service. Plug directly from a camera into a field monitor. Compatible with in51, in52 series domes



- 2.1mm Jack
- 41" overall Length
- BNC Output

inCASVC

The Remote Alert inADAC series of power converters enable the use of 12VDC cameras on 24VAC power systems and allow the installer to use both 24VAC and 12VDC powered cameras on a common 24VAC power infrastructure.

24VAC power supplies have following benefits:

- Lower cost
- High reliability
- Polarity independent
- Lower "volt-drop" on extended cable runs.

The converter is available in a high power output version, 1000mA. A simple and effective solution for providing a



inADAC241A

Model:	inADAC241A
Input Voltage	20V~36V AC/DC
Output Voltage (regulated)	12VDC @ 1000mA
Input connection	Terminal Block
Output connection	2.1mm DC Plug
Total Cable length (inc converter)	approx 30cm (12")
Dimensions (LxWxH)	46 x 35 x 27mm 1 7/8 x 1 3/8 x 1 inch
Weight	82g / 3oz
Case type	Metal

This switching power adaptor can be used to power any of your 12VDC cameras or other items.

- Switching Power Adaptor
- Input 110 -240 VAC
- Output 12VDC -1 Amp Max

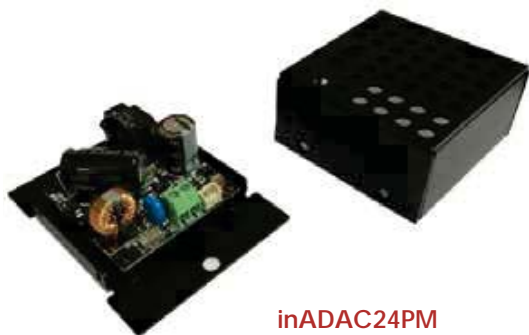


inPA121A

The Remote Alert inADAC24PM power module enables the use of the 12VDC in30 ATM camera on 24VAC powered systems. This allows the installer to use both 24VAC and 12VDC powered cameras on a common 24VAC power infrastructure. The power module is mounted to a back plate and has a removable shield to help prevent EMI/RFI issues within the ATM. This unit ships with a 36" power/video cable which allows mounting of the power module in back of the ATM.

Benefits:

- High reliability
- Stable output
- Polarity independent
- Noise suppression
- Lower "volt-drop" on extended cable runs.

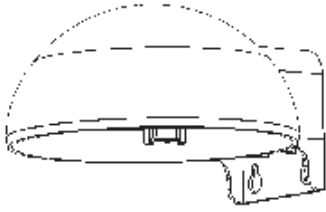


inADAC24PM

Model:	inADAC24PM
Input Voltage	9.6~15VDC or 19V~29VAC
Output Voltage (regulated)	12VDC @ 450mA Max
Input connection	Terminal Block
Output connection	10 Pin Molex
Ripple & Noise	150mVp-p Max
Total Cable length	approx 92cm (36")
Dimensions (LxWxH)	63.5x50x26.5mm 2.5" x 1.97" x 1"
Weight	52g/2oz

Dome Accessories

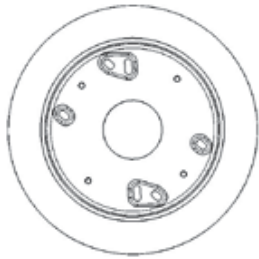
The Remote Alert inCA51WMB is used to mount the in5x Series domes on walls or flat poles. This versatile mount will fit many applications you may encounter.



inCA51WMB

- Metal Construction
- Small Footprint
- Low Profile

The Remote Alert inCA514SMP Electrical Box Adapter Plate is used to mount the in5x Series domes on a variety of electrical boxes. Mounts to a 4-Square, Double Gang, Single Gang, Octagon or Round box.



inCA514SMP

- Metal Construction
- Dome Covers Mounting Holes
- Fits Multiple Box Types

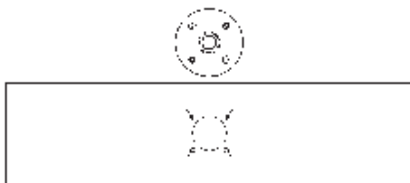
The Pendant Cap for the in5x Series dome connects directly to 3/4 conduit or can be used in conjunction with a wall or ceiling mount.



inCA51PC

- Metal Construction
- Small Footprint
- Low Profile

The Remote Alert inCA51BP Drop Ceiling Backer Plate and flange are used to mount the in5x Series domes to drop ceilings to prevent any ceiling tile sag. Normally used when extending dome down from the ceiling using drop pipe. Flange can also be used on hard ceilings.

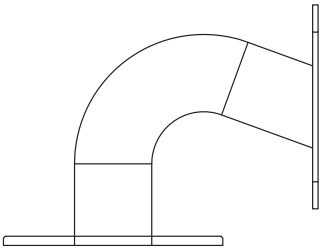


inCA51BP
inCA51DP6
inCA51DP12
inCA51DP24

- Metal Construction
- Metal Flange Fits 3/4" NPT
- 6", 12", 24" Drop Pipe

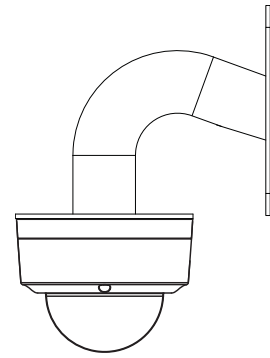
Dome Accessories

The gooseneck wall bracket for the in61 series dome can attach directly to a wall/pole or mount onto a double gang electrical box.



inCA61GNB

- Metal Construction
- Wire Management Mount
- Fits a Double Gang Box



The inM400 series of monitors are available in 9.7" and 19" screen sizes. LED backlighting is utilized to give even, consistent illumination, long life and 40% lower power consumption than CCFL LCD monitors. The monitors are designed specifically for surveillance applications to provide support for high resolution analogue cameras by using 4:3 aspect ratio panels, making them the perfect match for traditional analogue based CCTV systems without the need for image re-scaling. They are equally at home as a display unit for digital video recorders or computers. The monitors are equipped with multiple input standards, loop through video and audio connectors and offer premium grade features to ensure that optimum quality images are displayed in any application.

LED Monitor Series



inM419

- 19" Active Matrix Display
- LED Backlight
- 4/3 Aspect Ratio
- Brightness 400cd/m²
- 5 ms response time
- VGA/SVGA/XGA/SXGA modes supported
- Audio Inputs
- VGA, HDMI, BNC x 2,
- CVBS loop thru connections
- Auto Termination
- PIP/PBP
- Tilting Desk Stand
- Power input 12VDC



inM497-1

- 9.7" Active Matrix Display
- LED Backlight
- Brightness 400cd/m²
- 4 ms response time
- VGA, SVGA, XGA modes supported
- Audio Inputs
- VGA, HDMI x 2, BNC x 1,
- CVBS loop thru connections
- Auto Termination
- Tilting Desk Stand
- Power input 12VDC
- 75mm Vesa Mount

Note:

This unit can be used with our accessory kit, inM491-1-ACC which is a carry bag and battery so you can use it as a test monitor when setting up or servicing camera systems. This larger screen makes setting up cameras extremely easy.

Monitor Mounts

The inMM series of monitor mounts offer you a Fixed or Pivoting version to select from.



inMM201

- Fixed No Movement
- Low Profile Design
- Fast & Simple Mounting
- Vesa 75mm & 100mm
- Loading 50lbs



inMM303

- Tilt & Swivel
- $\pm 45^\circ$ Tilt
- 180° Swivel
- Low Profile Design
- Fast & Simple Mounting
- VESA 75 & 100mm
- Loading 30lbs

The inM1719RMK is used to mount the inM400 Series LED monitors in a standard 19" rack



inM1719RMK

- Metal Construction
- Fits Standard 19" Wide Rack

The Remote Alert DVR600RT series D1/960H Real Time DVRs are offered with 4 analogue inputs, a selection of Hard Disk sizes and a range of features to fulfill the requirements of most CCTV installations, with audio available on each channel and the ability to support a range of different telemetry protocols.

In addition, the DVR offers streaming video to a web browser, a range of mobile devices and for more complex management requirements, Central Management Software to support the remote viewing and configuration of multiple sites from one or more control centers.



- 4 channel Video and Audio recording
- WD1, WHD1, WCIF, D1, HD1 and CIF recording
- H.264 Video compression
- ADPCM Audio compression
- Dual Stream
- Mobile Device support
- Supports up to 1 internal SATA HDD
- Scheduled recording
- Motion and Alarm Triggered Recording
- Per Channel Configuration
- Pre-Alarm Recording
- On Screen Motion Detection Indicator
- GUI
- VGA, HDMI & Composite Video monitor outputs
- IR Remote Control
- USB mouse
- Browser Based

inDVR604RTN-1TB

inDVR604RTN-2TB

inDVR604RTN-3TB

inDVR604RTN-4TB

Hybrid Digital Video Recorders

The Remote Alert DVR700RT TVI Hybrid series DVRs are offered with 8 or 16 inputs, Full HD (1920x1080) resolution, a selection of hard disk sizes and a range of features to fulfill the requirements of most CCTV installations. The DVR supports UTC OSD control of inMotion TVI cameras, audio, along with the ability to support a range of different telemetry protocols. In addition, the DVR offers streaming video to a web browser, a range of mobile devices and for more complex management requirements, Central Management Software to support the remote viewing and configuration of multiple sites from one or more control centers.



- 8 or 16 channel Video Inputs
- 1080P, 720P, WD1, D1 Recording
- TVI, IP, Analog
- H.264 Video Compression
- Dual Stream
- Mobile Device support
- Supports up to 2 internal SATA HDDs*
- Scheduled, Motion, Manual recording
- Per Channel Configuration
- Pre-Alarm Recording
- On Screen Motion Detection Indicator
- GUI
- VGA & HDMI Monitor Outputs
- IR Remote Control
- USB mouse
- Browser Based
- CMS Multi Site Software
- UTC Control of Remote Alert's (in51, in61) TVI Cameras

inDVR708RTN-1TB

inDVR708RTN-2TB

inDVR708RTN-4TB

inDVR708RTN-6TB

inDVR716RTN-1TB

inDVR716RTN-2TB

inDVR716RTN-3TB

inDVR716RTN-4TB

inDVR716RTN-6TB

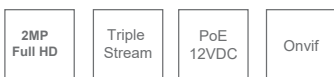
inDVR716RTN-8TB

The Remote ALert in51IP Series is the next generation in our line of indoor anti vandal resistant IP domes. The HD-IP network camera is based on advanced H.264 technology and supports full HD1080P (2MP) resolution.

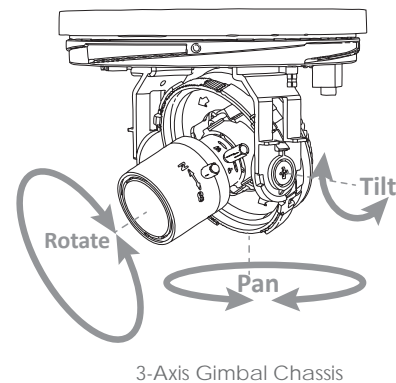
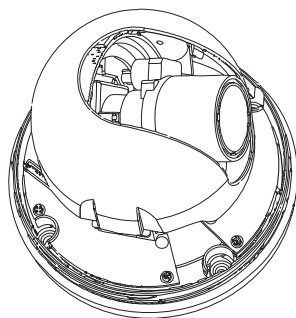
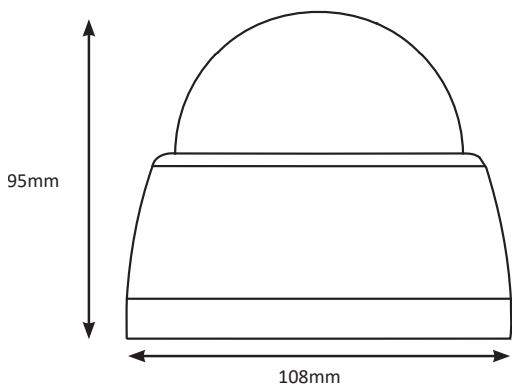
With its advanced features, the 2MP camera allows full command and control of video parameters such as resolution, bit rate and frame rate. Offering D-WDR performance combined with 3D Digital Noise reduction, this compact camera will produce high quality video in the varying lighting conditions experienced in modern installations. The in51IP2MP series is very compact and flexible enough to meet any installation requirement.



- Compact Die Cast Construction
- Thermal Management
- inViVid® Color Technology
- 3-Axis Gimbal
- 2.1 Mega Pixel Sensor
- Full HD 2MP Image
- Triple Stream (H.264/MJPEG/MPEG4)
- Max 30FPS
- D-WDR
- Simple Web Interface
- Onvif Support
- 12VDC or PoE
- Optional 24VAC Converter



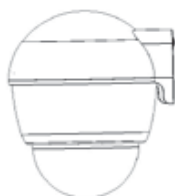
in51IP2MP28V12



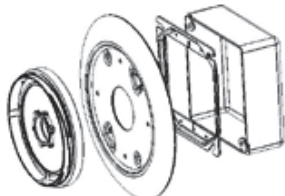
Accessory items



Pendant Cap



Short Wall/Pole Mount



Electrical Box Adaptor Plate



Drop Ceiling Backer Plate
Ceiling Flange & Poles



Service Cable

Indoor / Outdoor 2MP (Full HD) IP Dome

The Remote Alert in61IP2MPT is the next generation in our line of compact Indoor/Outdoor anti vandal resistant domes. The Remote Alert HD-IP network camera is based on advanced H.264 technology and supports full HD1080P (2MP) resolution.

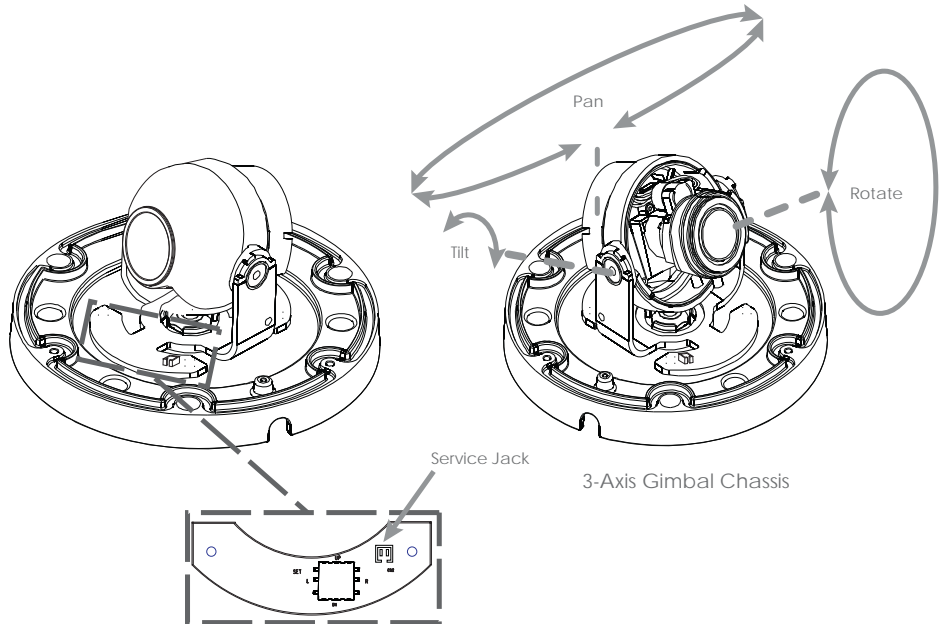
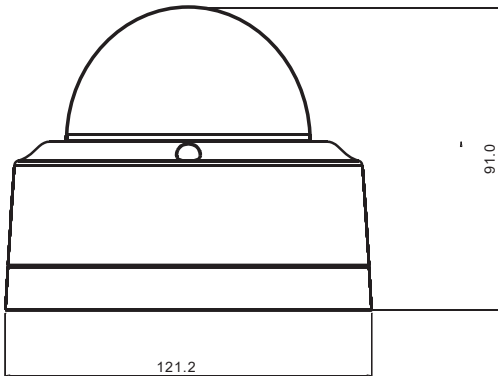
With its advanced features, the 2MP camera allows full command and control of video parameters such as resolution, bit rate and frame rate. This unit supports both ONVIF (Profile S) and PSIA (V1.0) standards. This dome has both a network output and an analog output for use where you still need local monitoring. The in61IP2MPT series is very compact and flexible enough to meet any installation requirements.



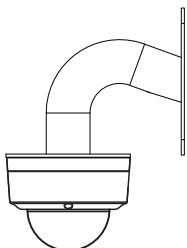
- Compact Die Cast Construction
- Thermal Management
- inViVid® Color Technology
- IP66
- 2.43 Mega Pixel Sensor
- Full HD 2MP Image
- Dual Stream (H.264/MJPEG)
- True Day/Night
- Max 30 FPS
- Analog Output for Local Viewing
- Simple Web interface
- Motion Detection
- Alarm Management
- Service Jack analog output for local setup
- 12VDC/24VAC
- ONVIF & PSIA Support



in61IP2MPT28V12



Accessory items



Gooseneck Wall Mount

The Remote Alert IP ATM Camera uses the latest in low light WDR performance chipsets. This is the next generation in our line of compact ATM cameras. The Remote Alert HD-IP network camera is based on advanced H.265 technology and supports full HD 1080P (2MP) resolution.

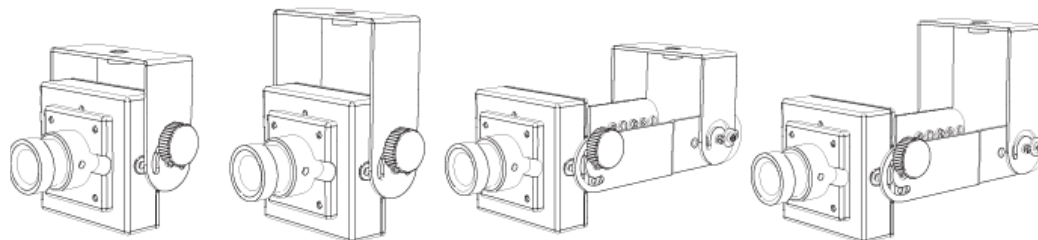
With its advanced features, the 2MP camera allows full command and control of video parameters such as resolution, bit rate and frame rate. Offering WDR performance combined with 3D Digital noise reduction, this compact camera will produce high quality video in the varying light conditions experienced in modern installations. The in30IP2MP series is very compact and flexible enough to meet any installation requirements.



- Compact Construction
- Thermal Management
- inViVid® Color Technology
- 2.1 Mega Pixel Sensor
- Full HD (1080P)
- 3mm Lens
- Software Day/Night Function
- Tripple Stream (H.265/H.264/MJPEG)
- Max 30FPS
- Wide Dynamic Range (WDR) 130db
- Adaptable Mounting Brackets
- Simple Web Interface
- Onvif Support
- CVBS Analog Video Output
- 12VDC or PoE
- Optional 24VAC Converter



in30IP2MP3LPOE
in30IP2MP3LPOE-NCR



IP Speciality Cameras

The Remote Alert IP Teller Cameras are designed for applications where high resolution close ups are required of individuals during transactions.

The cameras are mounted in aesthetically pleasing housings that can easily be mounted at payment windows, teller points, desks/counters or other locations where transactions or information exchange may take place.



- Mount to Counters/Desktops
- FDIC, NCUA , Blank Faceplate options
- Custom Colors and Faceplates
- Capture Full facial Images
- 3.6mm lens
- Thermal Management
- inViVid® Color Technology
- 3D Noise Reduction
- 2.1 Megapixel Sensor
- Full HD 2MP Image
- Triple Stream (H.264/MJPEG/MPEG4)
- Max 30FPS
- D-WDR
- Simple Web Interface
- Onvif Support
- 12VDC or PoE



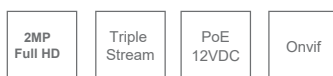
inTLCFSIP2MP36
inTLCNSIP2MP36
inTLCBSIP2MP36

The Remote Alert Slim Line IP Tower Cameras are designed for applications where high resolution close ups are required of individuals during transactions such as banking, car rental, airline security.

The cameras are mounted in aesthetically pleasing housings that can easily be mounted at payment windows, teller points, or other locations where transactions may take place.



- Mount to Counters/Desktops
- 8", 16", 20" & 24" Lengths
- Custom Height and Colors Available
- Capture Full facial Images
- 3.6mm lens
- Thermal Management
- inViVid® Color Technology
- 3D Noise Reduction
- 2.1 Megapixel Sensor
- Full HD 2MP Image
- Triple Stream (H.264/MJPEG/MPEG4)
- Max 30FPS
- D-WDR
- Simple Web Interface
- Onvif Support
- 12VDC or PoE



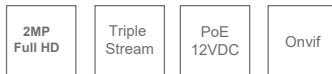
inTC08IP2MP36
inTC16IP2MP36
inTC20IP2MP36
inTC24IP2MP36

The Remote Alert HD-IP Drive-Up/Counter camera is based on advanced H.264 technology and supports full HD1080P (2MP) resolution.

With its advanced features, the 2MP camera allows full command and control of video parameters such as resolution, bit rate and frame rate. Offering D-WDR performance combined with 3D Digital Noise reduction, this compact camera will produce high quality video in the varying lighting conditions experienced in modern installations. The small footprint of the camera allows versatility for placement and mounting. Capture full facial views of the person as they walk up to the counter or desk or as they drive up to the service window. Get the quality image you need with Remote Alert's Drive-Up/Counter Camera.



- Mount to Counters/Desktops/Window Mullions
- Small Footprint
- Multiple Mounting Brackets
- Capture Full Facial images
- 3.6mm lens
- Black Finish
- Easy installation
- 3D Noise Reduction
- 2.1 Megapixel Sensor
- Full HD 2MP Image
- Triple Stream (H.264/MJPEG/MPEG4)
- Max 30FPS
- D-WDR
- Simple Web Interface
- Onvif Support
- 12VDC or PoE



inDUCSIP2MP36

The Remote Alert Special Application Camera is the next generation in our line of compact indoor specialty cameras. The HD-IP network camera is based on advanced H.264 technology and supports full HD1080P (2MP) resolution.

With its advanced features, the 2MP camera allows full command and control of video parameters such as resolution, bit rate and frame rate. Offering D-WDR performance combined with 3D Digital noise reduction, this compact camera will produce high quality video in the varying light conditions experienced in modern installations. The small footprint of the camera allows versatility for placement and mounting. The versatile in31 is extremely compact and flexible enough to meet any installation requirements. Use in ATM's, Gaming, Fast food windows, many other speciality applications.



- Thermal Management
- inViVid® Color Technology
- Adjustable Mount
- Multiple Lens options Available
- Easy installation
- Digital Image Stabilization
- 3D DNR
- 2.1 Megapixel Sensor
- Full HD 2MP Image
- Triple Stream (H.264/MJPEG/MPEG4)
- Max 30FPS
- D-WDR
- Simple Web Interface
- Onvif Support
- 12VDC or PoE



in31IP2MP36
in31IP2MP28V12

The Remote Alert HD-IP Height Strip is based on advanced H.264 technology and supports full HD1080P (2MP) resolution.

With its advanced features, the 2MP camera module allows full command and control of video parameters such as resolution, bit rate and frame rate. Offering full HD resolution, D-WDR combined with 3D Digital Noise Reduction, this camera will produce high quality video in the varying lighting conditions experienced in modern installations. The height strip allows you to capture a full facial view at eye level as the person exits the premises. Capture the quality image you need with Remote Alert's Height Strip Camera.



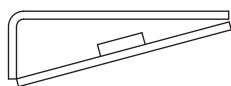
- Fits Standard Door Frames
- Accepts 2 Camera Modules
- Multiple Mounting Brackets
- Capture Full facial Images
- Highly visible color coded height levels
- inViVid® Color Technology
- Min. Illumin. 0.01 Lux
- 3.6mm lens
- Bronze or Aluminium Finish
- Optional 15° Mounting Wedge
- 2.1 Megapixel Sensor
- Full HD 2MP Image
- Triple Stream (H.264/MJPG/MPEG4)
- Max 30FPS
- D-WDR
- Simple Web Interface
- Onvif Support
- 12VDC or PoE



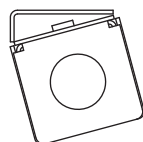
inHSIP2MP36A
inHSIP2MP36B

Accessory Item

inHSWA
inHSWB



HS mounted to 15° Wedge



15° Mounting Wedge

2MP (Full HD) IP Board Camera

The Remote Alert HD-IP network camera module is based on advanced H.264 technology and supports full HD1080P (2MP) resolution.

With its advanced features, the 2MP camera module allows full command and control of video parameters such as resolution, bit rate and frame rate. Offering D-WDR performance combined with 3D Digital Noise reduction, this compact camera will produce high quality video in the varying lighting conditions experienced in modern installations.



- Full HD 2MP Image
- Triple Stream (H.264/MJPEG/MPEG4)
- 2.1 Megapixel Sensor
- Max 30 FPS
- D-WDR
- Onvif Support
- Simple Web interface
- 12VDC
- Optional POE Board
- Various lens options available



inCMIP2MP36

Encoders

The Remote Alert encoder is a powerful, compact video server platform featuring advanced video encoding capabilities. Transform any analog camera into an IP device with dedicated alarm & I/O management.

With its advanced features, the encoder allows full command and control of video parameters such as resolution, bit rate, frame rate along with PTZ control. This unit supports both ONVIF (Profile S) and PSIA (V1.0) standards



- Single Channel In/Out
- Dual Stream (H.264/MJPEG)
- Max 30 FPS D1(720x480)
- G.711 Two-Way Audio
- RS485/232 PTZ Support
- Motion Detection
- Simple Web interface
- PTZ Control
- Motion Detection
- Alarm I/O
- Alarm Management
- 12VDC



inENCODE1D1

The Remote Alert encoder is a powerful, compact video server platform featuring advanced video encoding capabilities. Transform any analog camera into an IP device with dedicated alarm & I/O management.

With its advanced features, the encoder allows full command and control of video parameters such as resolution, bit rate, frame rate along with PTZ control. This unit supports both ONVIF (Profile S) and PSIA (V1.0) standards



- Single Channel In/Out
- Dual Stream (H.264/MJPEG)
- Max 30 FPS D1(720x480)
- G.711 Two-Way Audio
- Simple Web Interface
- RS485/232 PTZ Support
- Motion Detection
- Alarm I/O
- Alarm Management
- Image Controls
- Selectable Image Size by Stream
- 12VDC or POE (Optional)



inENCODE-D1-BD

Installation Tools

The Remote Alert Push Pull Rods are handy, lightweight, flexible & STURDY! Use our Push-Pull Rods to get wire and cable into those "impossible" places quickly and easily! Ideal for pushing and pulling wire and cables in false ceilings, under floor channels, crawl spaces, attics and many other areas. Connect as many rods together to attain the length required.

These Push-Pull Rods will save you a lot of time and money. Tape your wire on to the leading rod and push it to the desired location by adding additional rods (they just screw into each other) or you can tape the wire to the rod (or hook it) and pull the wire to you from a distant location.

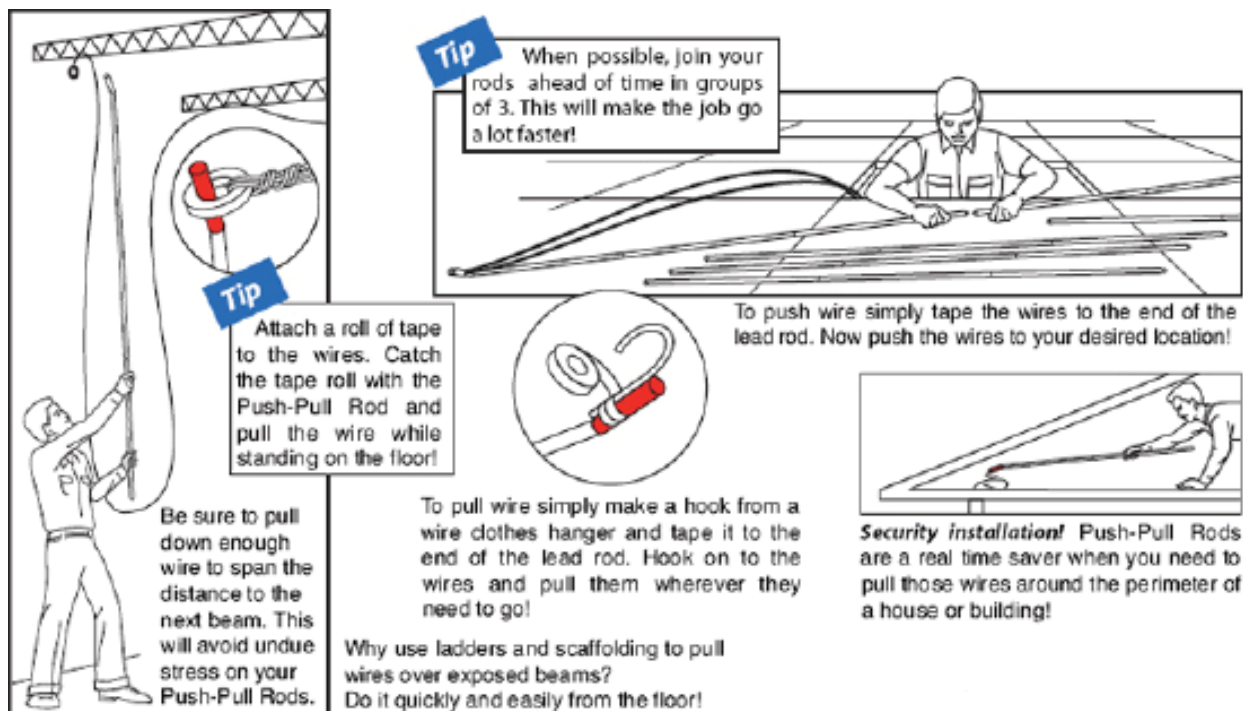
Each rod is made of aluminum alloy which is anodized to provide a non-conductive coating. Individual rods are 27" long and 3/4" O.D. and weighs only 5 oz.

Each set comes with one curved handle pole and a bright yellow storage bag. Get a set today and make your installations go quicker and easier.



- Aluminum Alloy Rods
- Each Rod is 27" Long
- Available in 20 (45ft) 10 (22-1/2ft) or 5 (11-1/4ft) Piece Set
- Rods Easily Screw Together
- Handy, Lightweight, Sturdy
- Convenient Storage Bag Included

inPPROD-20A 20 Anodized Rods-45ft
inPPROD-10A 10 Anodized Rods-22-1/2ft
inPPROD-5A 5 Anodized Rods-11-1/4ft



The inM497-1 Commercial-grade monitor features the latest is screen imaging technology for enhanced clarity and sharpness. LED backlighting is utilized to give even, consistent illumination, long life and 40% lower power consumption than CCFL LCD monitors, to help meet green targets.

The monitors are designed to provide support for high resolution analogue cameras and use 4:3 aspect ratio panels, making them the perfect match for traditional analogue based CCTV systems without the need for image re-scaling.

Field Test Monitor



inM497-1

- 9.7" Active Matrix Display
- LED Backlight
- Brightness 400cd/m²
- 4 ms response time
- VGA, SVGA, XGA modes supported
- Audio Inputs
- VGA, HDMI, BNC
- CVBS loop thru connections
- Auto Termination
- USB Multi-Media Player (Micro USB)
- Tilting Desk Stand
- Power input 12VDC

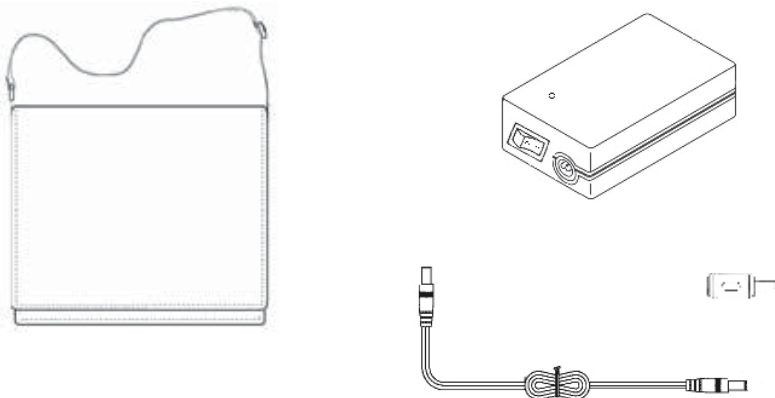
Optional Accessory kit to convert to a field test monitor, includes battery, bag, charger

Test Monitor Accessory Kit

This kit allows you to use the 9.7" monitor as a test monitor for setting up your cameras. Contains a carry bag, 1800mA battery, cable and power adaptor. The larger screen makes camera set up and focusing extremely easy.

Accessory kit works with the inM497-1 LED Backlit Monitor

Carry Bag
Battery
Power Cable
Power Adaptor



inM497-1-ACC

Remote Alert
519 Bennett Lane
Suite 100
Lewisville, Texas 75057
Phone: 214-960-4640
Fax: 214-960-4641